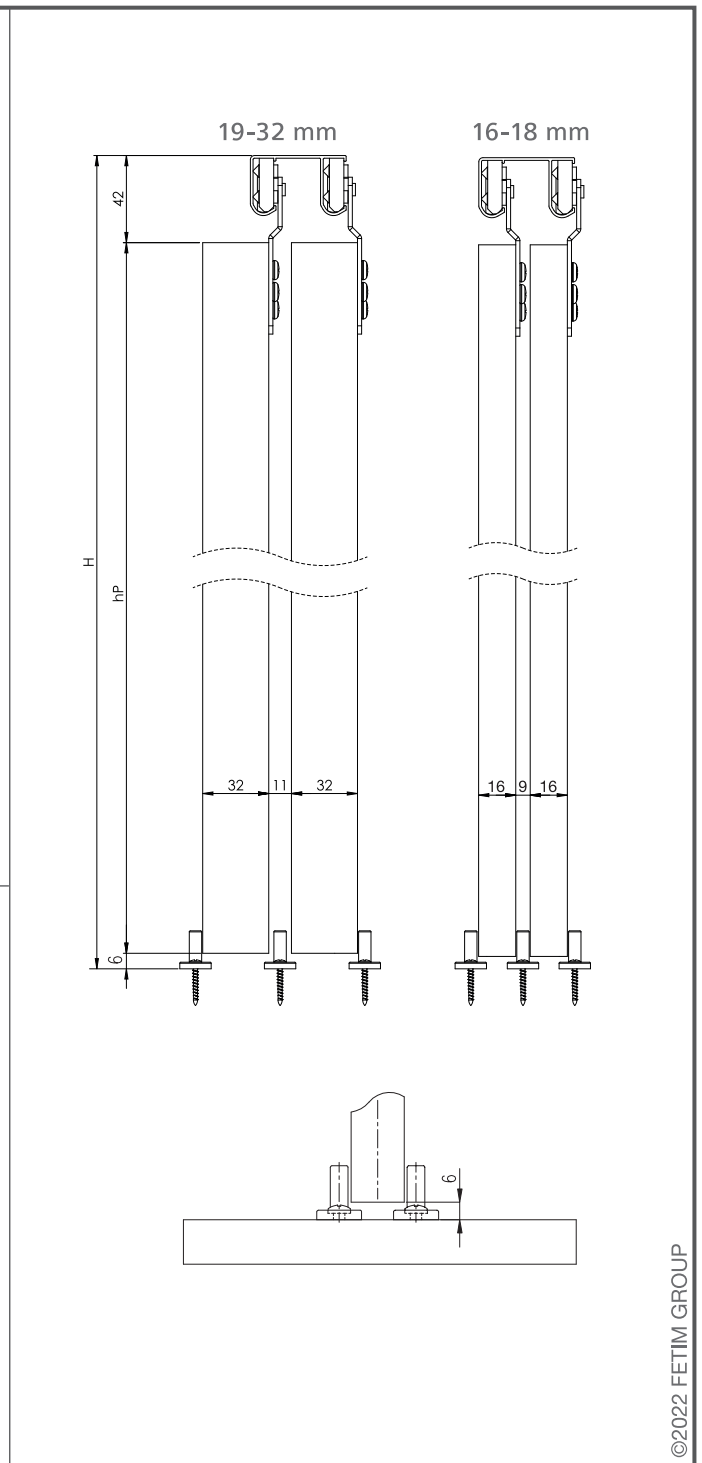
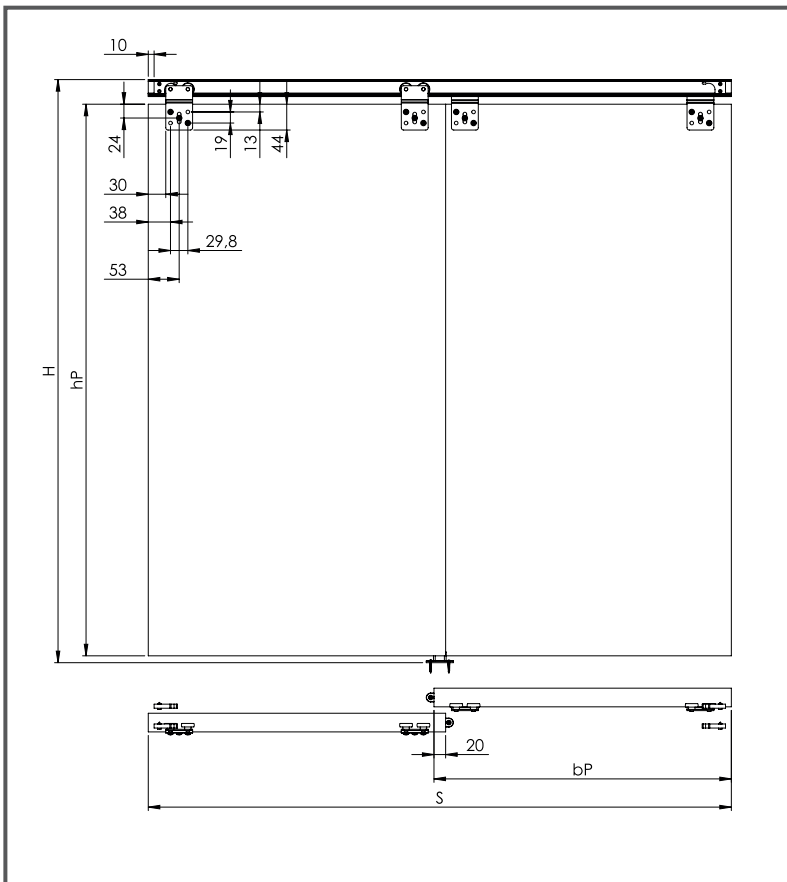
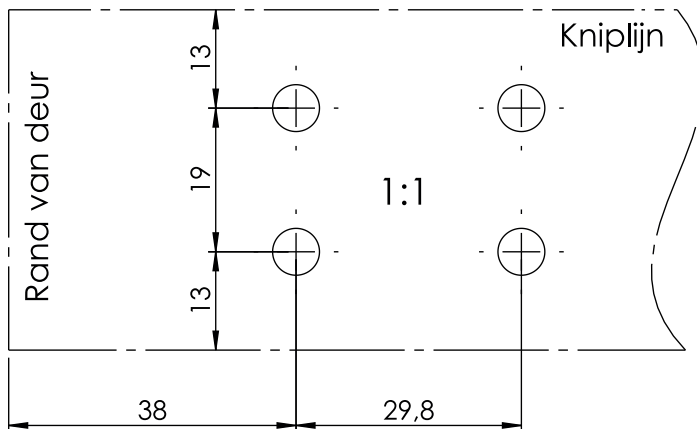


16-32 mm	n - aantal deuren / quantity of doors	n=2	n=3	n=4	n=5	n=6
	hP - deur hoogte [mm] / door height [mm]	hP=H-48				
	deur breedte [mm] / board width [mm]	(S+20)/2	(S+40)/3	(S+60)/4	(S+80)/5	(S+100)/6



Boormal / Drill mould

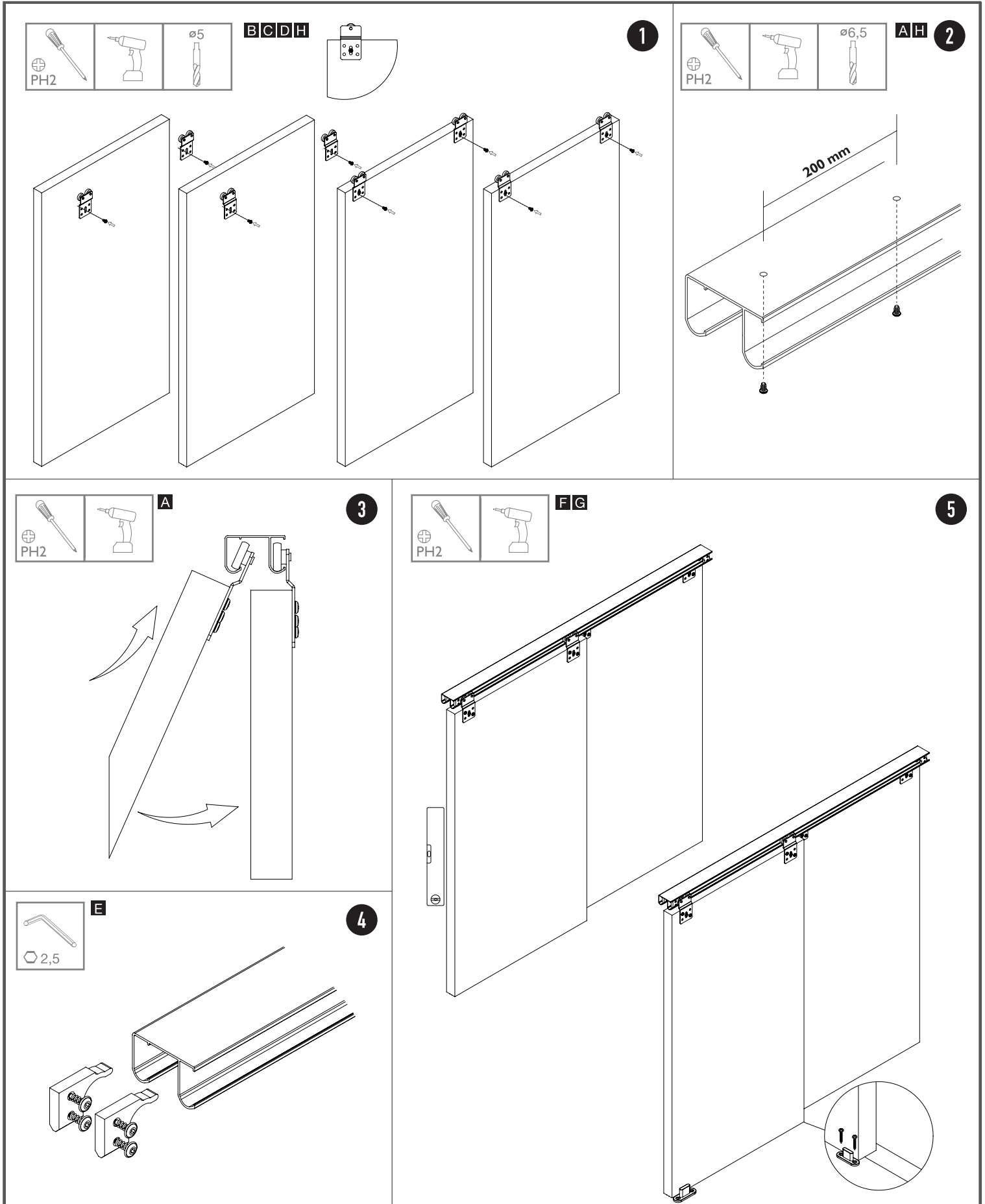


U50

# ZELFBOUW SCHUIFDEUREN

50 Kg  
MAX

16-32 mm  
Deur(panel)



**ADVANCE**  
PROFESSIONAL sliding door systems

It is recommended that you follow these instructions using the appropriate tools as indicated. In the case of elements whose surface can be sharp, use personal protective equipment and work area protection. The company Fetim group refrains from liability for actions resulting from conduct incompatible with this instruction.